



KV windows

People dedicated to
truth in products and relationships.

Why is a KV Custom Window a great window?

“ they’re as
unique as the **people**
who make them.”

Our windows begin with passion.

Yes, each member of the KV team is backed by years of experience, but it’s the commitment to craftsmanship that really makes our team, and our windows, exceptional. You can choose from a range of styles, colours and details, with the confidence that it will not only complement and elevate the architectural design of your home, but will also offer protection from the elements.

It’s not just our job. It’s our calling.



custom windows&doors

pvc · wood · steel · fiberglass



Only one thing stands between you and the elements.

our pride

Mario Tanti - VP Manufacturing, with over 30 years of experience.



Multi-chambered,
fusion-welded,
maintenance-free
to you,

artistry
to us

Ben Fowler - More than 15 years'
experience as a Saw Operator



Casement Windows



Awning Windows



Picture Windows

awning case

casement

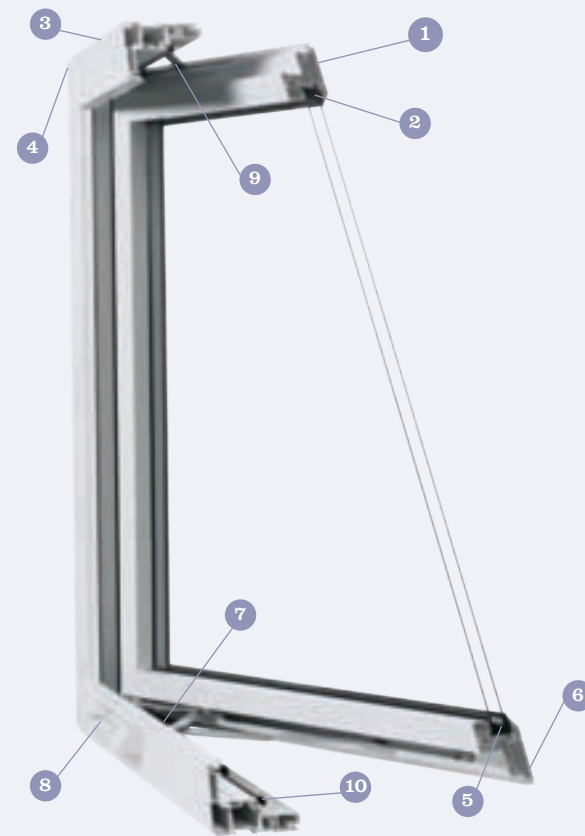
WINDOWS

Taking pride in every Casement we build means beautiful design. With contemporary styles, Casements are hinged on the side so they vent vertically, allowing the smooth-turning handle to roll the window open and let in a summer breeze. The mechanics inside the KV Custom Casement were developed through years of experience to keep you comfortable, while allowing you to appreciate the custom design and your neighbourhood landscape.

- 1 Frame and sash are multi-chambered for added strength, stability and insulation
- 2 Premium White "S" Class SuperSpacer™ and full 7/8" Insulating Glass with Low-E and Argon standard (1 1/8" and 1 3/8" triple glazing optional)
- 3 3 1/4" and 4 5/8" frame depths available
- 4 Fusion-welded corners on frame and sash maximize its strength and stability
- 5 Tape glazing system and a co-extruded flexible seal on sash exterior guard against leaks and maximize structural integrity
- 6 Hidden drainage system eliminates unattractive holes or weep covers and guarantees positive drainage
- 7 Exclusive frame design keeps frame bulb seal out of sight
- 8 Nesting operators provide smooth and easy operation for the life of the window; operating handle has sleek contoured lines
- 9 Stainless steel hinges and tie bars will not rust or corrode
- 10 Triple-seal weather-stripping and step-down frame design offer superior protection against air and water penetration

FEATURES NOT SHOWN

- 1. Multi-Point lock is a standard feature on all Casement windows
- 2. Heavy-duty roll form aluminum screen bar with easy-release corner clips
- 3. All windows over 42" high have hidden snubbers for vertical frame
- 4. Casement sash opens to full 90 degrees, for easy cleaning
- 5. Shim glazing system keeps glass and sash true and square
- 6. Flush coupler design makes for easy trim installation



picture

WINDOWS

Frame is multi-chambered for added strength, stability and insulation

Standard 7/8" Insulating Glass, optional 1 1/8" or 1 3/8" triple glazing

Commercial-style shim system keeps glass square in frame

Hidden exterior drainage system eliminates unattractive drain hole covers (not shown)



HIGH PROFILE
Matches casement and awning profiles

LOW PROFILE
50% less frame height for more glass area

awning

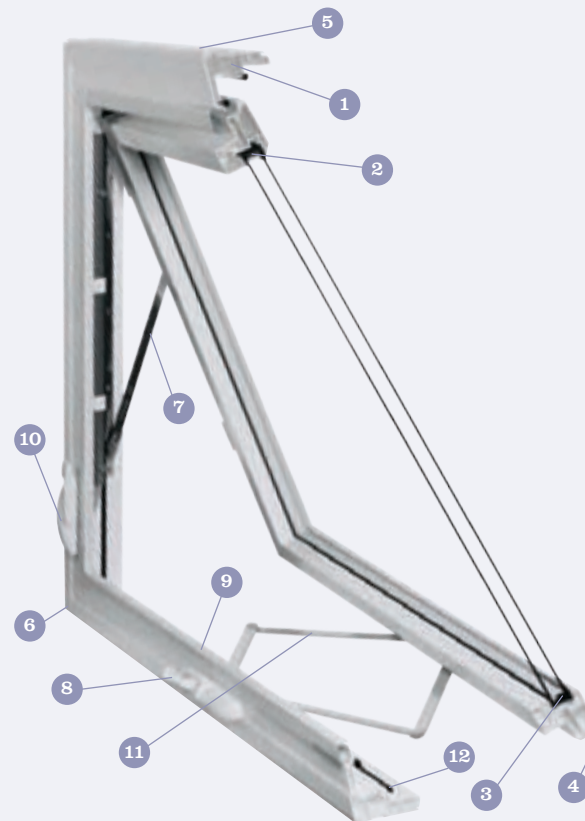
WINDOWS

With a great sense of achievement, we present the flawless interior and exterior detailing of our Awning windows. Hinged on the side so they vent horizontally, the smooth-turning handle rolls the window open, perfect even for rainy days as the outward opening will keep water out. The mechanics inside the KV Custom Windows' Awning were developed through years of experience to keep you comfortable, while allowing you to appreciate the custom design and your neighbourhood landscape.

- 1 Frame and sash are multi-chambered for added strength, stability and insulation
- 2 Premium White "S" Class SuperSpacer™ and full 7/8" Insulating Glass with Low-E and Argon standard (1 1/8" and 1 3/8" triple glazing optional)
- 3 Tape glazing system and a co-extruded flexible seal on sash exterior protect against leaks and promote structural strength
- 4 Hidden drainage system eliminates unattractive holes or weep covers and guarantees positive drainage
- 5 3 1/4" and 4 5/8" frame depths available
- 6 Fusion-welded corners on frame and sash maximize its strength and stability
- 7 Stainless steel hinges and tie bars will not rust or corrode
- 8 Nesting operators provide smooth and easy operation for the life of the window; operating handle has sleek contoured lines
- 9 Heavy-duty roll form aluminum screen bar with easy-release corner clips
- 10 Dual (one on each side) Multi-Point locks are a standard feature on all Awning windows
- 11 Scissor-style operators provide smooth and easy operation; nesting handle has stylish contoured lines
- 12 Triple-seal weather-stripping and step-down frame design protect against air and water penetration

FEATURES NOT SHOWN

- 1. Shim glazing system keeps glass and sash true and square
- 2. Flush coupler design makes for easy trim installation



PREMIUM FEATURES



7/8" Insulating glass



Fusion-welded corners on frame and sash



Nesting operating handle



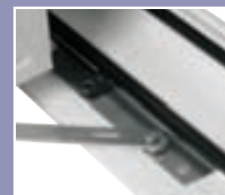
Stainless steel tie bars



Multi-chambered frame and sash



Multi-point lock



Stainless steel hinges



Heavy-duty roll form aluminum screen bar

You'll be as proud of your windows as we are.



Donzilia Dias - Dedicated KV Custom Windows team member, committed to providing an exceptional experience every time.

Installing a KV Custom Window into your home is like installing a work of art. No wonder so many comment on the beauty of the window, before they even notice the view.



pvc · wood · steel · fiberglass



To you, it's
waking up
to the perfect
view.

to us, it's
flawless design.

Ben Chaitlall - CNC Operator,
with over 30 years' experience.



Double Hung



Single Hung

single double



double hung

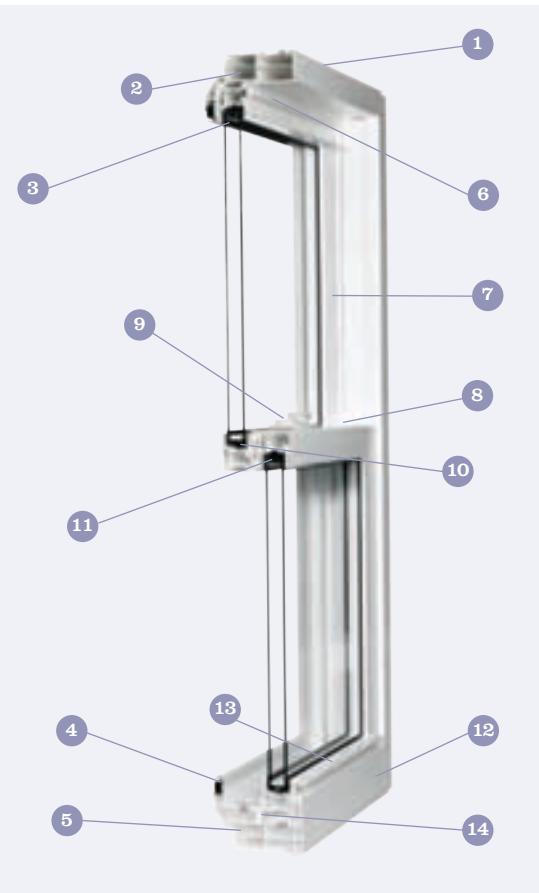
WINDOWS

We're dedicated to bringing beauty into your home, a mantra that led us to the charming and classic Double Hung window, with its clean interior appearance. KV Custom Double Hung windows are coil-balanced to open and close smoothly and both sashes tilt-in for easy cleaning. Use them individually for a look of understated elegance or pair several together for endless design combinations.

- 1 3 1/4" frame depth
- 2 Frame and sash are multi-chambered for strength and insulation
- 3 Premium White "S" SuperSpacer™ and full 7/8" Insulating Glass with Low-E and Argon standard
- 4 Full screen is removable from the inside for convenience
- 5 Sloped pocket sill designed for water drainage; interior and exterior chambers drain independently
- 6 Frame head supports sash seal and provides a cleaner interior appearance
- 7 Night latches are standard on top sash of all Double Hung windows
- 8 Tilt latch assemblies are recessed to maintain clean interior lines
- 9 Die cast lock and closed back keeper offer superior strength at interlock point
- 10 Tape glazing system and a co-extruded flexible seal on sash exterior guard against leaks and maximize structural integrity
- 11 1" overlap interlock system provides extra protection against wind and weather
- 12 Fusion-welded corners on frame and sash
- 13 Double-walled, contoured pull rail top and bottom sash for strength and ease of use
- 14 Interior pocket has a bulb seal design to eliminate air infiltration

FEATURES NOT SHOWN

- 1. Triple-seal weather-stripping design for protection against air and water penetration
- 2. Constant force sash balance system enables sash to operate effortlessly
- 3. Full balance covers for a finished interior look
- 4. Common exterior design for unified exterior look



picture

WINDOWS

Frame is multi-chambered for added strength, stability and insulation

Standard 7/8" Insulating Glass

Commercial-style shim glazing system keeps frame true and square (not shown)

Hidden exterior drainage system eliminates unattractive drain hole covers (not shown)



HUNG/SLIDER FIXED

Matches all vertical and horizontal sliding windows

LOW PROFILE

50% less frame height for more glass area



single hung

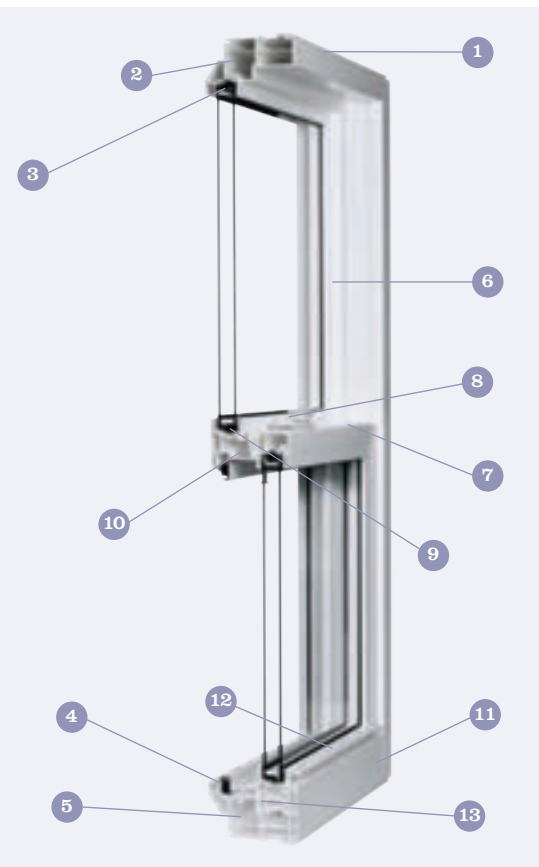
WINDOWS

It's the years of experience that we put into every Single Hung that makes the clean interior appearance so timeless. KV Custom Single Hung windows are triple-sealed to work against the elements and coil-balanced to open and close smoothly. The top sash is fixed while the bottom sash tilts-in for easy cleaning. Use them individually or join them together to accomplish your one-of-a-kind design vision.

- 1 3 1/4" frame depth
- 2 Frame and sash are multi-chambered for strength and insulation
- 3 Premium White "S" SuperSpacer™ and full 7/8" Insulating Glass with Low-E and Argon standard
- 4 Half screen is removable from the inside for added convenience
- 5 Sloped pocket sill designed for water drainage; interior and exterior chambers drain independently
- 6 Night latches are optional on Single Hung windows
- 7 Tilt latch assemblies are recessed to maintain clean interior lines
- 8 Die cast lock and closed back keeper offer superior strength at interlock point
- 9 Tape glazing system and a co-extruded flexible seal on sash exterior guard against leaks and maximize structural integrity
- 10 1" overlap interlock system provides extra protection against wind and weather
- 11 Fusion-welded corners on frame and sash
- 12 Double-walled, contoured pull rail for strength and easy operation
- 13 Interior pocket still has a bulb seal design to block out water

FEATURES NOT SHOWN

- 1. Triple-seal weather-stripping design for protection against air and water penetration
- 2. Constant force sash balance system enables sash to operate effortlessly
- 3. Full balance covers for an impeccable, finished interior look
- 4. Common exterior design for an attractive, unified exterior look



PREMIUM FEATURES



7/8" Insulating glass



Fusion-welded corners on frame and sash



Night latches



Multi-chambered frame and sash



Die cast lock and closed back keeper



Recessed tilt latches



Instant locking pivot shoe



Let the
sunshine
in.



pvc • wood • steel • fiberglass



We never
let our
beautiful
craftsmanship

slide.

Unless it's meant to

Mario Tanti - VP Manufacturing,
with over 30 years' experience.



Double Tilt Slider



Single Tilt Slider



Double Lift Out Slider



Single Lift Out Slider

single double



Double Tilt Slider



Single Tilt Slider

tilt slider

WINDOWS

Our Tilt Sliding windows are reminiscent of the classic sliding window, offering clean lines and refined style. The Double Tilt Slider has a full screen and the Single Tilt Slider has a half screen, which are both removable from inside the home for convenience and safety. Perfect for large window areas, one sash glides smoothly over another to offer maximum ventilation without obstructing your view. With a common exterior design, they create an attractive unified look when paired with the matching slider or fixed windows.

- 1 Premium White "S" Class SuperSpacer™ and full 7/8" Insulating Glass with Low-E and Argon standard
- 2 Screens are removable from inside the home for added convenience and safety (Double Tilt: full screen; Single Tilt: half screen)
- 3 1" overlap interlock system provides extra protection against wind and weather
- 4 Tape glazing system and a co-extruded flexible seal on sash exterior guard against leaks and maximize structural strength
- 5 Die cast lock & closed back keeper offer supreme strength at interlock point
- 6 3 1/4" frame depth
- 7 Tilt latch assemblies are recessed to maintain clean interior lines
- 8 Sloped pocket sill designed for water drainage; interior and exterior chambers drain independently
- 9 Frame and sash are multi-chambered for strength and insulation
- 10 Fusion-welded corners on frame and sash for structural integrity

FEATURES NOT SHOWN

- 1. Independent drain paths on interior and exterior sill tracks
- 2. Triple-seal weather-stripping design for protection against air and water penetration
- 3. Steel pivot bars and instant locking shoes
- 4. Flush coupler design makes for easy trim installation
- 5. Operable sashes designed to tilt out for easy cleaning (Double Tilt both sashes, Single Tilt interior sash only)
- 6. Night latches are standard on Double Tilt Sliding windows
- 7. Double-walled, contoured pull rail for strength and ease of use



picture

WINDOWS

Frame is multi-chambered for added strength, stability and insulation

Standard 7/8" Insulating Glass

Commercial-style shim glazing system keeps frame true and square (not shown)

Hidden exterior drainage system eliminates unattractive drain hole covers (not shown)



HUNG/SLIDER FIXED

Matches all vertical and horizontal sliding windows

LOW PROFILE

50% less frame height for more glass area



Double Lift Out Slider



Single Lift Out Slider

lift out slider

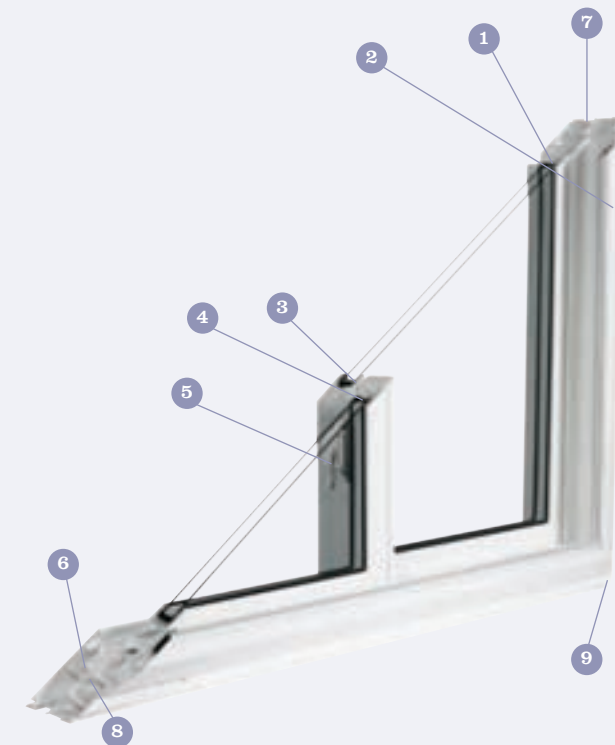
WINDOWS

Our Lift Out Sliding windows are popular for complementing any architectural style, with a clean and polished look. The sashes are designed to lift out for easy cleaning inside the home: both sashes for the Double Lift Out and the interior sash for the Single Lift Out. KV Custom Lift Out Sliding windows offer beautiful and expansive views, and with a common exterior design, create an attractive unified look when paired with the matching slider or fixed windows.

- 1 Premium White "S" Class SuperSpacer™ and full 7/8" Insulating Glass with Low-E and Argon standard
- 2 Screens are removable from inside the home for added convenience and safety (Double Lift Out: full screen; Single Lift Out: half screen)
- 3 1" overlap interlock system provides extra protection against wind and weather
- 4 Tape glazing system and a co-extruded flexible seal on sash exterior guard against leaks and maximize structural strength
- 5 Die cast lock and closed back keeper offer supreme strength at interlocking point
- 6 Pocket sill designed for water drainage; interior and exterior chambers drain independently
- 7 3 1/4" frame depth
- 8 Frame and sash are multi-chambered for strength and insulation
- 9 Fusion-welded corners on frame and sash for structural integrity

FEATURES NOT SHOWN

- 1. Triple-seal weather-stripping design for protection against air and water penetration
- 2. Nylon rollers with brass ball bearing axle
- 3. Sill tracks lift out for easy cleaning
- 4. Flush coupler design makes for easy trim installation
- 5. Operable sashes designed to lift out for easy cleaning (Double Lift Out both sashes, Single Lift Out interior sash only)
- 6. Common exterior design for unified exterior look
- 7. Independent drain paths on interior and exterior sill tracks
- 8. Double-walled, contoured pull rail top for strength and ease of use



A brighter point of view



PREMIUM FEATURES



7/8" Insulating glass



Fusion-welded corners on frame and sash



Standard on Double Tilt Slider (optional on SH, SSST and SLOS)



Steel pivot pins with instant locking shoes (tilt sliders)



Multi-chambered frame and sash



Die cast lock and closed back keeper



Recessed tilt latches



Nylon rollers with brass ball bearing axle (lift out sliders)



pvc · wood · steel · fiberglass



A great view
in&out

Charlie Youkhanna puts over 15 years
of knowledge into every window.



Bay Windows



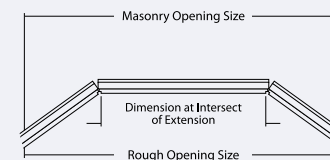
Bow Windows

bay & bow w



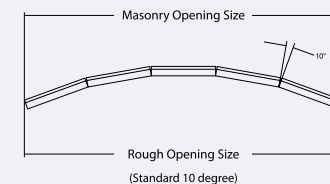
bay WINDOWS

Installing a Bay window is like completing a masterpiece. Offering a grand viewing area, it combines a range of different window styles and designs, and projects outward from the wall. You can transform your window into a Sit-Down Bay, by furnishing it with a cushioned sitting area, creating a comfortable place to enjoy the view or relax in the sunshine.



bow WINDOWS

It doesn't feel like work when you do what you love. And we love crafting Bow windows. Commonly seen in a series of five, they sweep the outside of a wall, with windows that can be stationary, operating, or any combination. KV Custom Window Bows offer awe-inspiring views and create an enchanting dimension to your home. Take advantage of your Bow window with an elegant window seat, breakfast nook or plant ledge.



Open your
door to artistry.

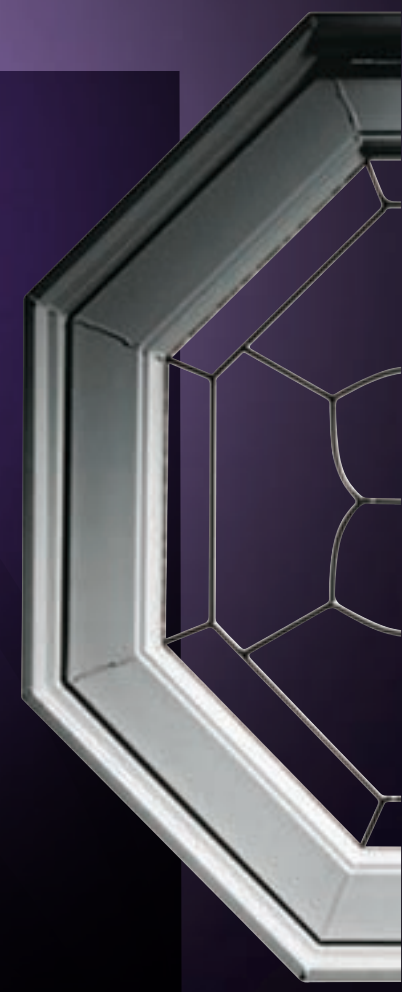
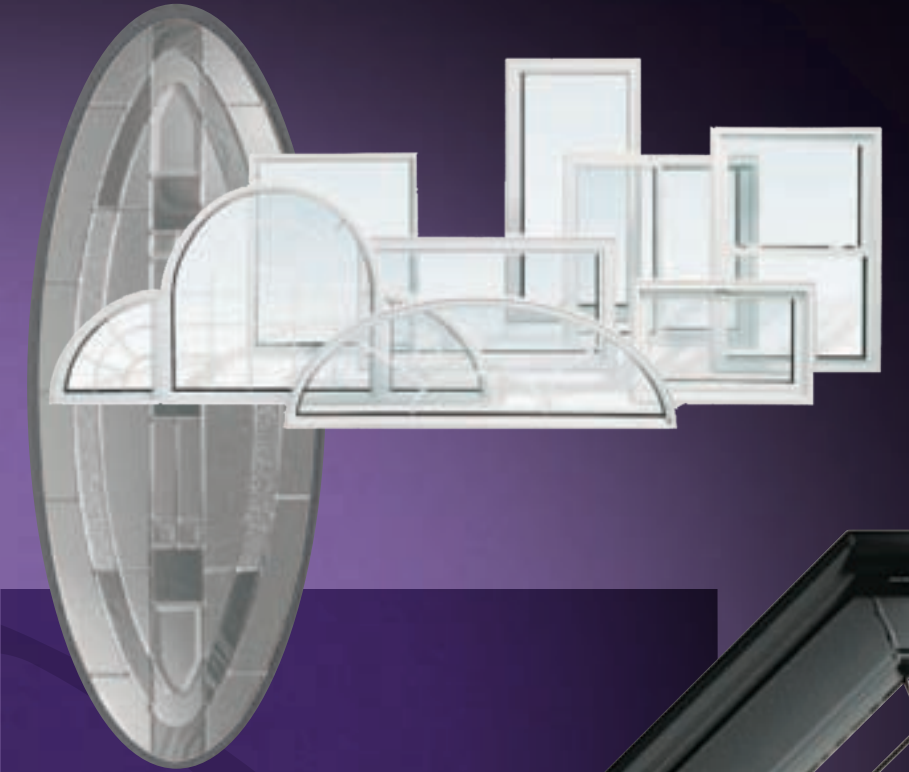
Our passion for design and craftsmanship extends beyond windows, to the main staple in every home: your door. Find a door that is grand or understated, decorative or classic, or simply designed to beautifully represent the personality of your home. No matter the style, all KV custom doors are built with the same commitment as our custom windows.

Discover more at
www.kvcustomwd.com





shaped
architectural
 custom window designs.



Embellish the architectural design of your home with a custom-shaped window. A variety of shapes and angles can elevate your home to distinction. Our collection of half circles, octagons, and triangles are only the beginning, and each is individually manufactured to your specific needs to create an artistic design and original look.

Northern Wood collection

CASEMENT, AWNING & HIGH PROFILE PICTURE WINDOWS

The "Northern Wood Collection" offers real wood that can be finished in pine or oak. All windows may be customized with various options, including various exterior colours, interior wood jamb extensions, and matching wood grills to the interior.

Enjoy a high quality maintenance-free vinyl window that shows off warm, wonderful wood on its interior surfaces.



AVAILABLE INTERIOR FINISHES



PINE



OAK

The warmth of real wood with superior PVC quality.

Due to the printing process, colours may vary slightly. Please refer to the KV colour chart for accurate colour representation.

For all of our custom-shaped, fixed and operable windows, please contact your KV Custom Windows & Doors dealer.



pvc · wood · steel · fiberglass

Express your point of view.

Colours that last.

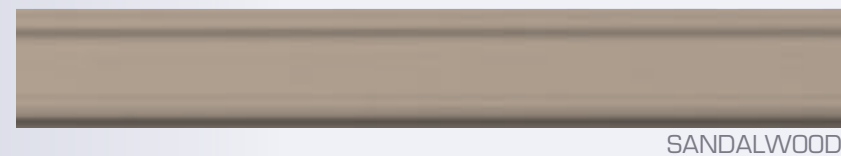
All of our windows are available in solid PVC white or cream. As an option, the exterior* can be painted with a finish in 27 standard colours, and matched with a white or cream interior. KV Custom Window solid colours are extruded with the pigment throughout the profile, and our painted finish uses a premium paint formula for fade resistance and colour retention. Plus, our water-based paints are environmentally responsible.

* Casement, Awning, High Profile and Low Profile can be painted inside.

options



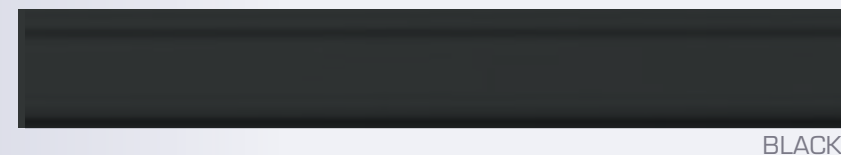
CREAM



SANDALWOOD



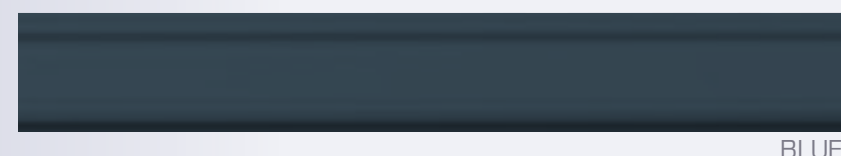
PEBBLE



BLACK



CHARCOAL GREY



BLUE

Due to the printing process, colours may vary slightly. Please refer to the KV colour chart for accurate colour representation.



Argon Gas – Standard

By replacing air between the window panes with Argon Gas, a slow-moving gas which helps prevent heat loss, thermal performance is increased.

Double Low “E”

Creates year-round savings and comfort by rejecting the sun’s heat and UV rays in the summer and reflecting furnace heat back into your home in the winter.

Active Glass

Keeps your windows cleaner with an exceptionally smooth surface that allows water to disperse evenly and evaporate quickly for less water spotting.

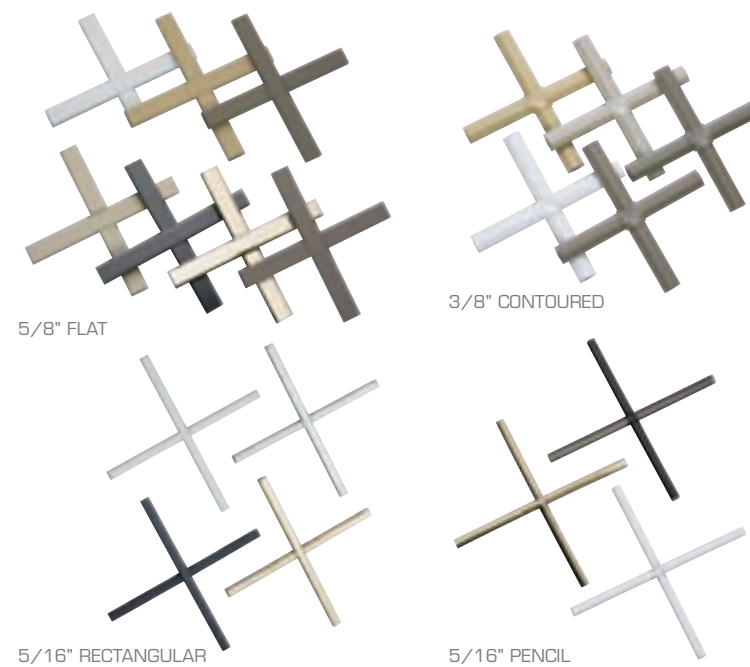
Glass Finishes

Add flair to your windows with our collection of glass finishes. With eye-catching patterns, accents and colours, you can find the right combination to flaunt your personality. (See dealer for full range of privacy options.)



Internal Grills

Our collection of decorative internal grills offers a range of styles, colours and patterns available for all KV windows.



Simulated Divided Lite (SDL) Grills

SDL grills give any of our windows a classic design. By separating the window into small panes, you can elegantly accentuate the glass and your personal design. SDL grills are applied to the interior and exterior surface with a guarantee to not deteriorate over time. Available in 1 1/8" and 2" widths.



Decorative Brick Molds

These exterior accessories will add even more beauty, value and efficiency to an already outstanding window.

- Available in an array of sizes
- For brick-to-brick applications or new construction
- Made from 100% virgin vinyl - same material as our windows
- 100% maintenance-free



Optional brick molds used to create a clean, finished exterior appearance.



KV Custom Windows offers a Lifetime Warranty on the solid PVC white and cream colours against blistering, peeling, flaking, cracking or fading. Windows with exterior paint have a 15-year warranty.

We also offer a Lifetime Warranty on all hardware against defects in material and manufacturing.

At KV Custom Windows & Doors, we are aware of our responsibility to the environment.



We are proactive in controlling waste by recycling all unused raw materials from our manufacturing processes, including PVC, Steel, Fiberglass, Glass, Paper & Cardboard, to name a few. We are also using our relationship with Royal Plastics & Guardian Glass to design new products that will help reduce in-home energy costs.



430 Norfinch Drive, Toronto, ON
M3N 1Y4 Canada

t. 1.855.661.3667 f. 1.855.661.3662

www.kvcustomwd.com

